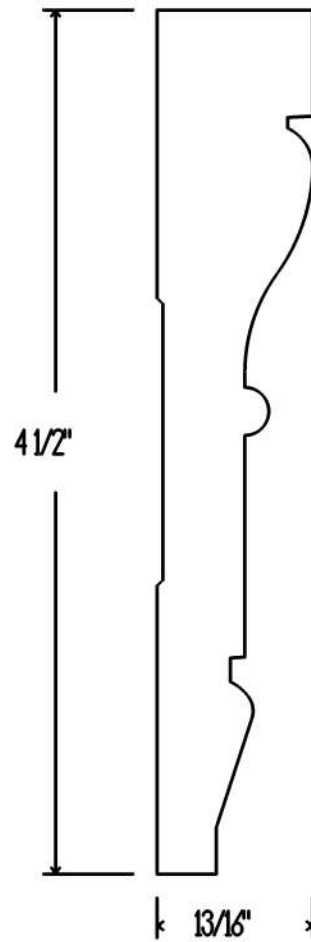


CS2019



Full Scale

EF. San Juan, Inc

Date: 7/22/09

Drawn By: RL

Approved By: \_\_\_\_\_

Approved By: \_\_\_\_\_

Page: of