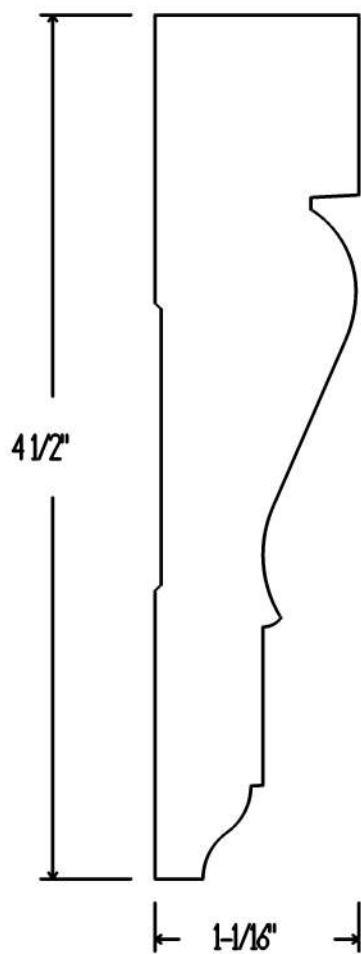


CS2245



EF. San Juan, Inc

Date: 2/17/10

Drawn By: RL/BS

Approved By: _____

Approved By: _____

Page: of

Full Scale