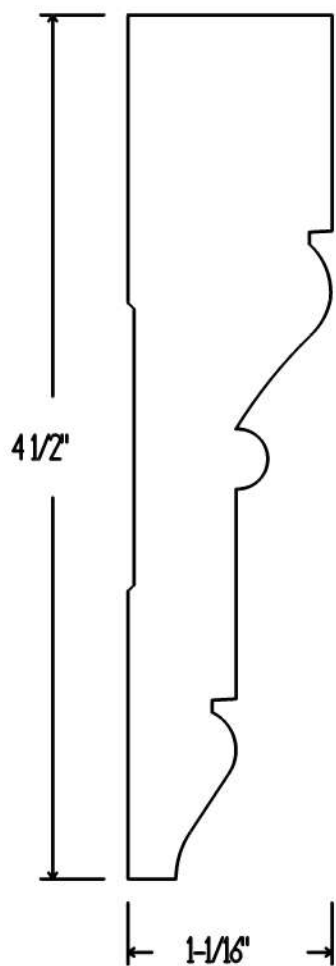


CS2206



Full Scale

EF. San Juan, Inc

Date: 2/1/10

Drawn By: RL/BS

Approved By: _____

Approved By: _____

Page: of